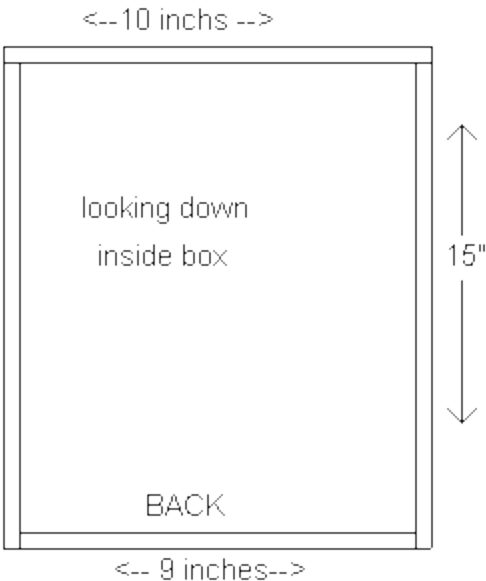
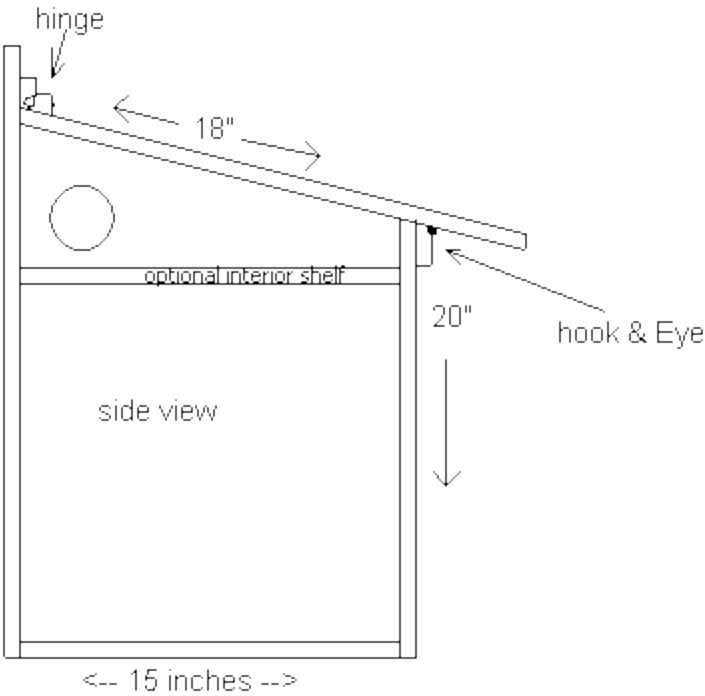
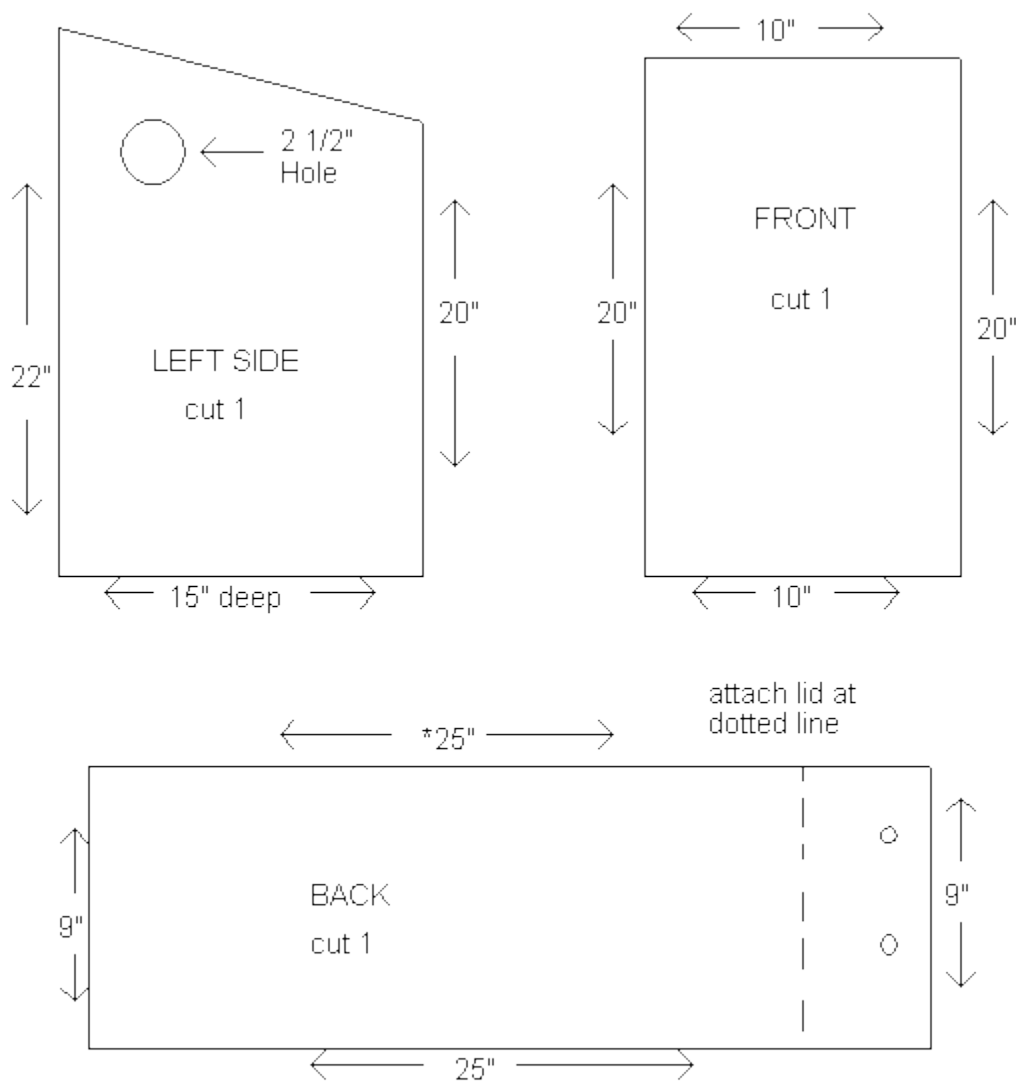


**ASSEMBLY OF SQUIRREL BOX**

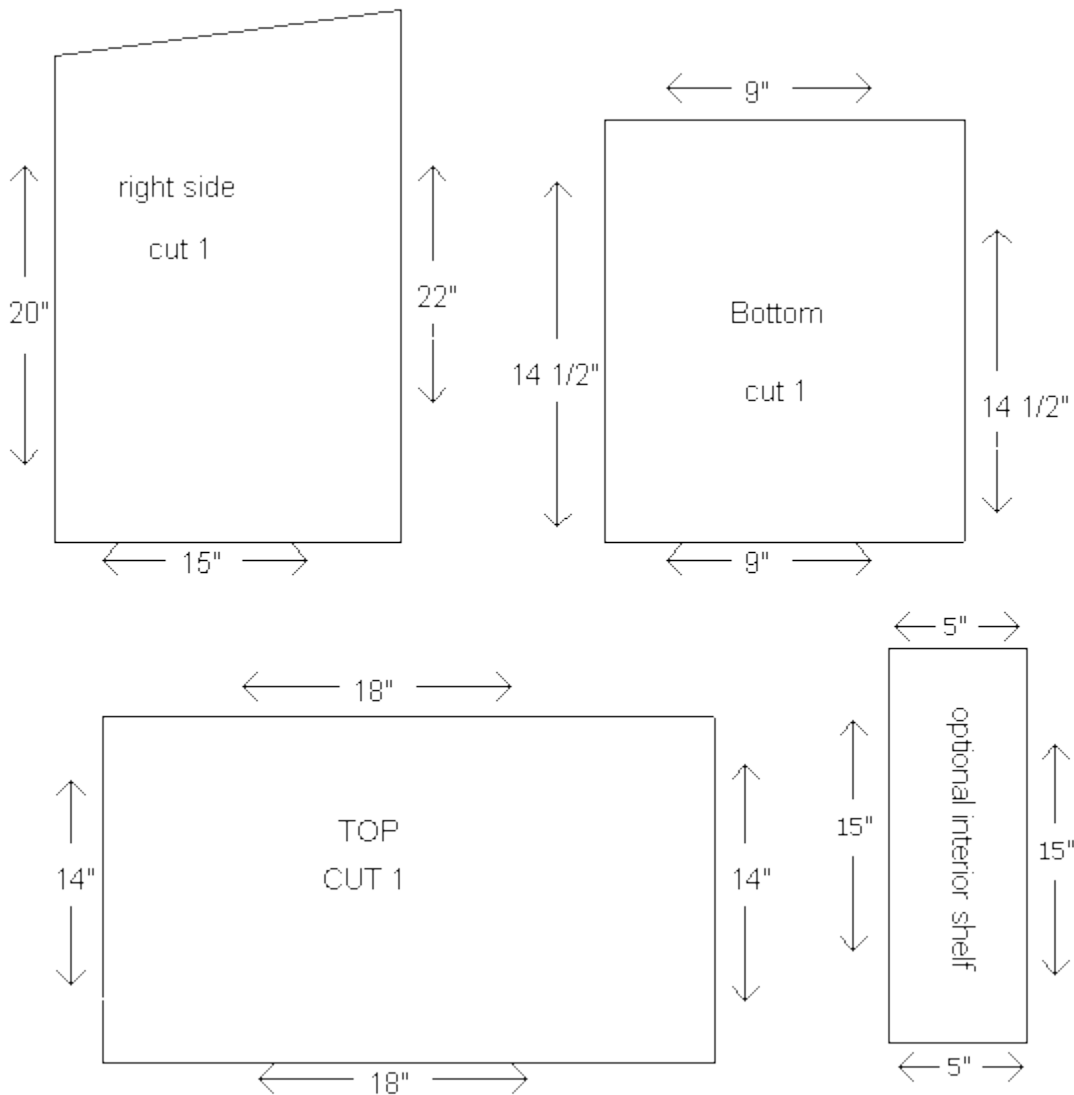


**CUT OUT THE FOLLOWING PIECES FOR SQUIRREL BOX**



\*may cut longer if you wish an extension piece on bottom to have for mounting in addition to the 3" space at the top.

## PIECES TO BE CUT CONTINUED



## SUPPLIES FOR SQUIRREL BOX

- **1/2 Sheet of 4' X 8" plywood will make 1 squirrel box. I use exterior plywood, AC grade (may use 1/2" or 3/4")**
- **1 pair of 1 1/2" utility hinges**
- **1 hook and eye closure (1")**
- **1 1/4 " or 1 1/2" wire nails , 17 or 18 gauge (1 pack will do more than box) Length of nails depends on thickness of plywood**
- **Carver Tripp makes a non-toxic stain. Please use non-toxic stain as squirrels will chew on the box**
- **I seal my boxes with Shellac after applying stain as it protects the box and is non-toxic when dry**
- **2 heavy duty nails for nailing box to tree.**